



WWW.BARRYIND.COM

# RS1206ZZ-XXXXWN-YY\*

## FLIP CHIP RESISTOR

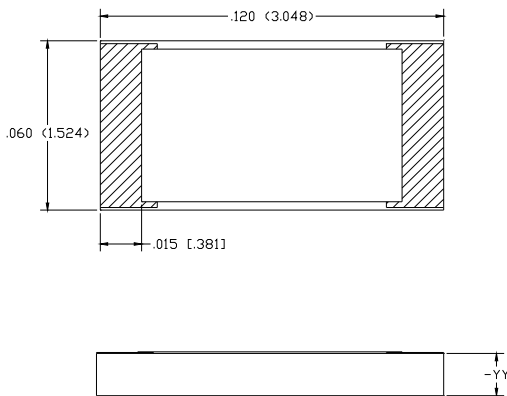
### Features:

- ◆ Alumina, BeO or Aluminum Nitride Material
- ◆ Flip Chip - No Backpad

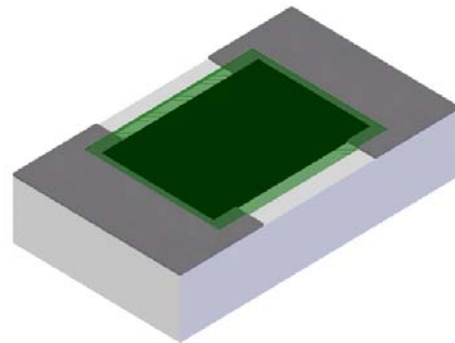
### General Description:

The RS1206ZZ-XXXXWN-YY\* series is a flip chip resistor. It offers a small package design available in Alumina, BeO and Aluminum Nitride.

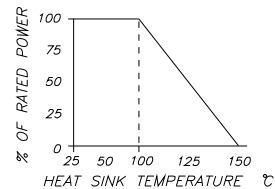
\* See below for ordering options.



Dimensions in inches [mm]  
Tolerance ± .005 [.127]  
unless otherwise stoted



DERATING CURVE:



\* RS 1206 ZZ - XXXX W N - YY

Flip Chip Resistor

Size

Termination Material and Finish

BA - Finish available on Alumina and Aluminum Nitride  
Palladium Silver, Epoxy Mount, **RoHS Compliant**

CB - Finish available on Alumina and BeO and Aluminum Nitride  
Tin Lead over Nickel over Silver, Solder Mount, NOT RoHS

CT - Finish available on Alumina and BeO and Aluminum Nitride  
Matte Tin over Nickel over Silver, Solder Mount, **RoHS Compliant**

GA - Finish available on Alumina and Aluminum Nitride  
Gold, Epoxy Mount or Wire Bond, **RoHS Compliant**

JA - Finish available on BeO Only  
Gold over Platinum Gold, Epoxy Mount or Wirebond, **RoHS Compliant**

Ohms

0.5....R500  
1 .....1R00  
10.....10R0  
50.....50R0  
100...1000  
150...1500  
1K.....1001

Thickness & Material

(N)ormal Inspection

Tolerance

F - 1%  
G - 2%  
J - 5%  
K - 10%  
L - 20%  
X - Special

-90 - .010" Alumina - .35 Watt  
-91 - .015" Alumina - .35 Watt  
-93 - .025" Alumina - .35 Watt  
-95 - .010" BeO - 1.5 Watt  
-96 - .015" BeO - 1.5 Watt  
-98 - .025" BeO - 1.5 Watt  
-2P - .010" Aluminum Nitride - 1.5 Watt  
-2Q - .015" Aluminum Nitride - 1.5 Watt  
-2S - .025" Aluminum Nitride - 1.5 Watt

Barry Industries reserves the right to change part number and or process without notification.

Barry Industries, Inc., 60 Walton St., Attleboro, MA 02703 T: 508-226-3350 F: 508-226-3317 E-mail: ABSales@Vishay.com

Barry Industries maintains an ISO 9001 Certified Quality Management System

Origination Date	Revision Date	Rev.
02/10/09	02/10/09	-